



# INSTALLATION INSTRUCTIONS

Accessory

REAR CARRIER BASE  
P/N 08L71-MGZ-J01

Application

CB500XA

Publication No.

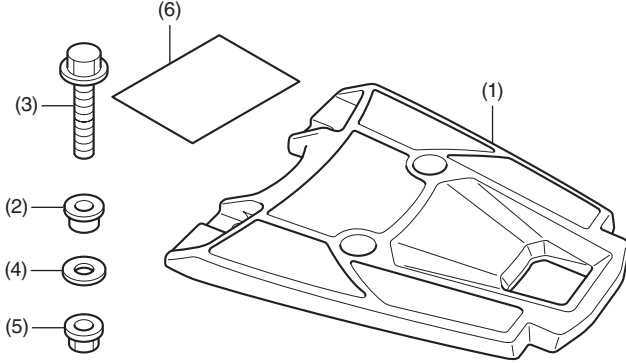
MII

Issue Date

October 2018

**Honda Dealer: Please give a copy of these instructions to your customer.**

## PARTS LIST



No.	Description	Qty
(1)	Rear carrier base	1
(2)	Collar	4
(3)	8 mm flange bolt	4
(4)	Washer	4
(5)	8 mm flange nut <b>(Not used.)</b>	4
(6)	URL paper	1

No.	Description	Qty
(1)	Rear carrier A	1
(2)	Right carrier stay	1
(3)	Left carrier stay	1
(4)	Right hook stay	1
(5)	Left hook stay	1
(6)	Helmet hook	1
(7)	Cap	4
(8)	8 mm socket bolt	4
(9)	Washer	4
(10)	8 mm hook bolt	2
(11)	6 mm flange bolt	2
(12)	URL paper	1

## TOOLS REQUIRED

Socket (12 mm)

Ratchet

Torque wrench

## TORQUE CHART

Tighten all screws, bolts, and nuts to their specified torque values. Refer to the Service Manual for the torque values of the removed parts.

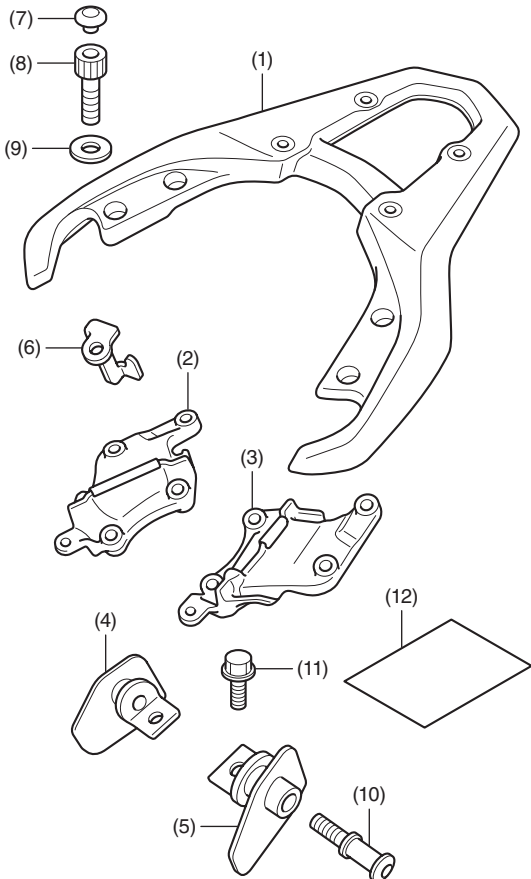
Item	N·m	kgf·m	lbf·ft
8 mm flange bolt	27	2.8	20

## MAXIMUM LOADING CAPACITY

- The weight of the cargo must not exceed the following maximum loading capacity:

Maximum Loading Capacity	
Top box	3.0 kg (6.6 lb)

## REAR CARRIER A Sold separately



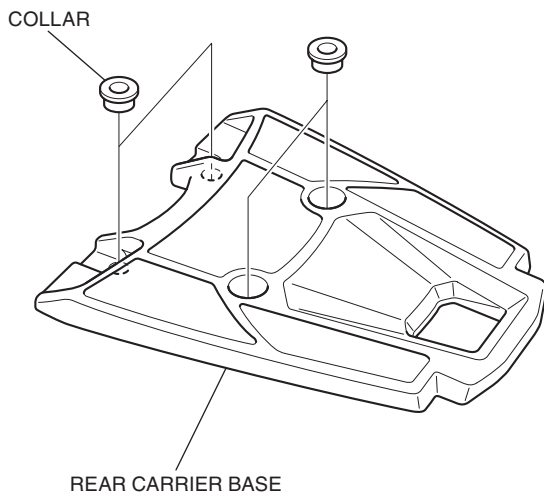
For the installation, refer to the Installation Instructions.

## INSTALLATION

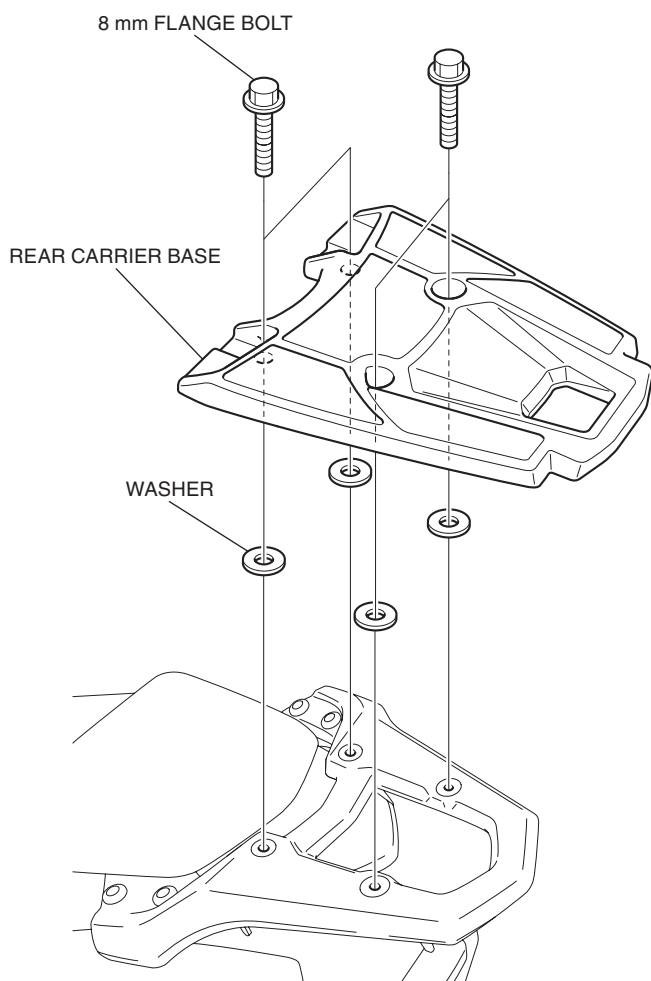
### ⚠ CAUTION

- To prevent burns, allow the engine, exhaust system, radiator, etc., to cool before installing the accessory.

1. Install the separately sold rear carrier A.
2. Install the collars as shown.



3. Install the rear carrier base as shown.



4. Refer to the Genuine Accessory User's Guide that comes together with the top box, and install the top box according to the instruction.